

FORD

Owner's Manual Supplement

OFFSET TRACTOR

Series 501



Prepared by
**TRACTOR AND IMPLEMENT DIVISION
FORD MOTOR COMPANY**

STANDARD AND OPTIONAL EQUIPMENT CHART

| | | MODELS | | 541 | 541-4 |
|---------------------------|---|-------------------|---|-----|-------|
| | | | | | |
| STANDARD EQUIPMENT | 134 Cu. In. Gasoline Engine | | | X | X |
| | Vertical Exhaust | | | X | X |
| | Linkage Type Draw Bar | | | X | X |
| | 3 Point Linkage | | | X | X |
| | Adjustable Toplink | | | X | X |
| | Hydraulic System | | | X | X |
| | 4-Speed Transmission | | | X | X |
| | Transmission Driven P.T.O. | | | X | X |
| | 550 - 16 | 4 Ply Front Tires | | X | X |
| | 10 - 28 | 4 Ply Rear Tires | | X | |
| | 10 - 38 | 4 Ply Rear Tires | | | X |
| 300 Lb. Stabilizer Weight | | | X | X | |
| OPTIONAL EQUIPMENT | Diesel Engine | | | X | X |
| | LP-Gas Engine | | | X | X |
| | Hydraulic Remote Control Valve | | | X | X |
| | 11 x 28 | 4 Ply Rear Tires | | X | |
| | 12 x 38 | 4 Ply Rear Tires | | | X |
| | Manifold Heater Kit (For Diesel Tractor Only) | | | X | X |
| | | | | | |

FOREWARD

Your new Series 501 Ford Offset Tractor is basically the same as the Model 741 tractor with the required modifications to obtain the offset feature. Model 541 is the standard offset tractor, Model 541-4 is the high clearance offset.

Information given in this manual covers only the portions of your tractor that are different from the Model 741 and should be used as a supplement to the regular owner's manual included in your owner's envelope.

**TRACTOR AND IMPLEMENT DIVISION
FORD MOTOR COMPANY
SERVICE DEPARTMENT**

COPYRIGHT 1959 FORD MOTOR COMPANY

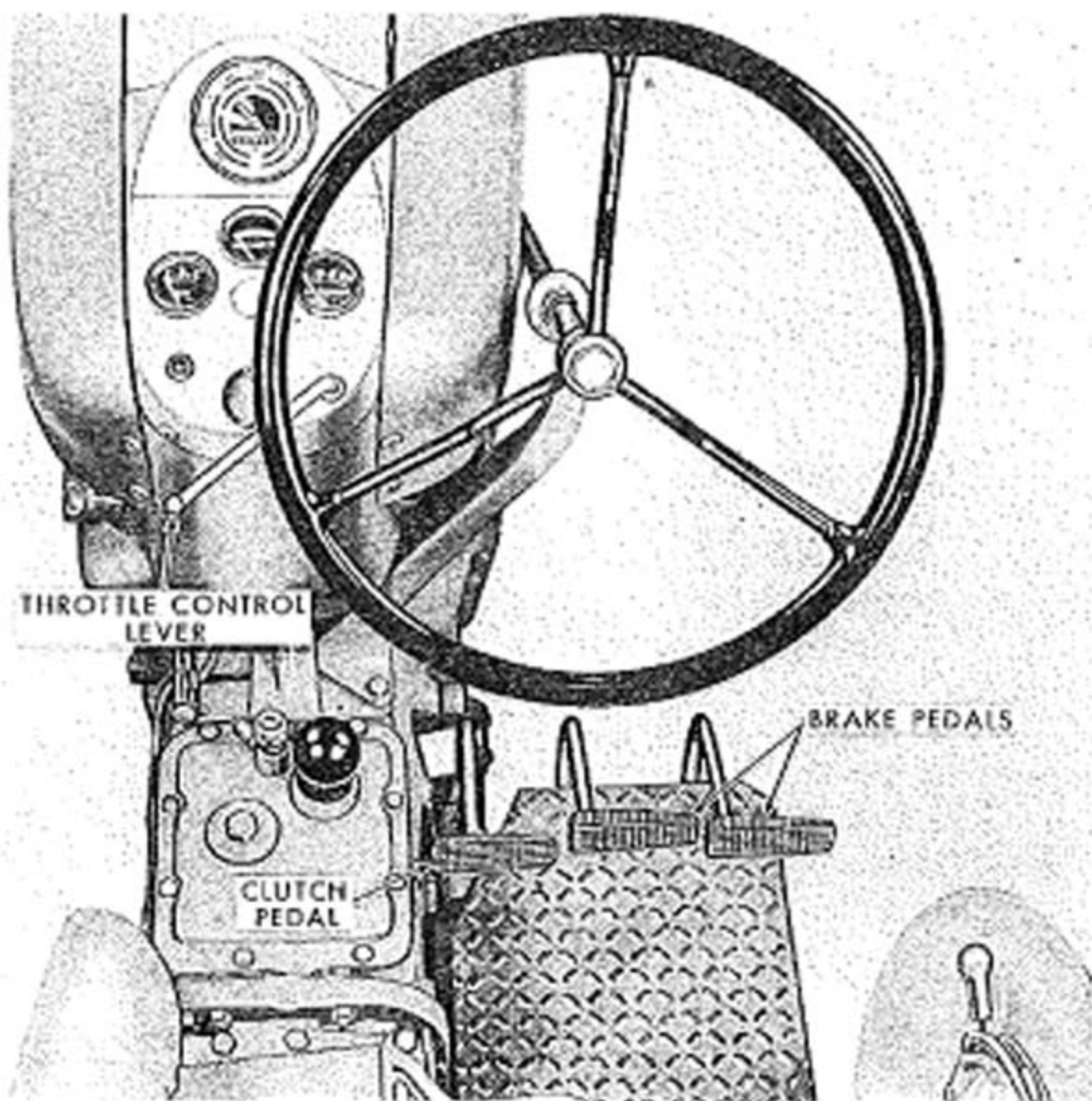


Figure 1
Controls and Instruments

CONTROLS

The design of the offset tractor necessitated the relocation of some of the controls as shown in Figures 1 and 2.

The throttle control lever is located on the right side of the instrument panel. Push the lever up to increase the engine speed. On diesel engine equipped tractors, the throttle lever must be pulled all the way down to shut the engine off.

The clutch pedal, brake pedals, brake pedal locks and power take-off lever are located as shown. The operation of these controls remain

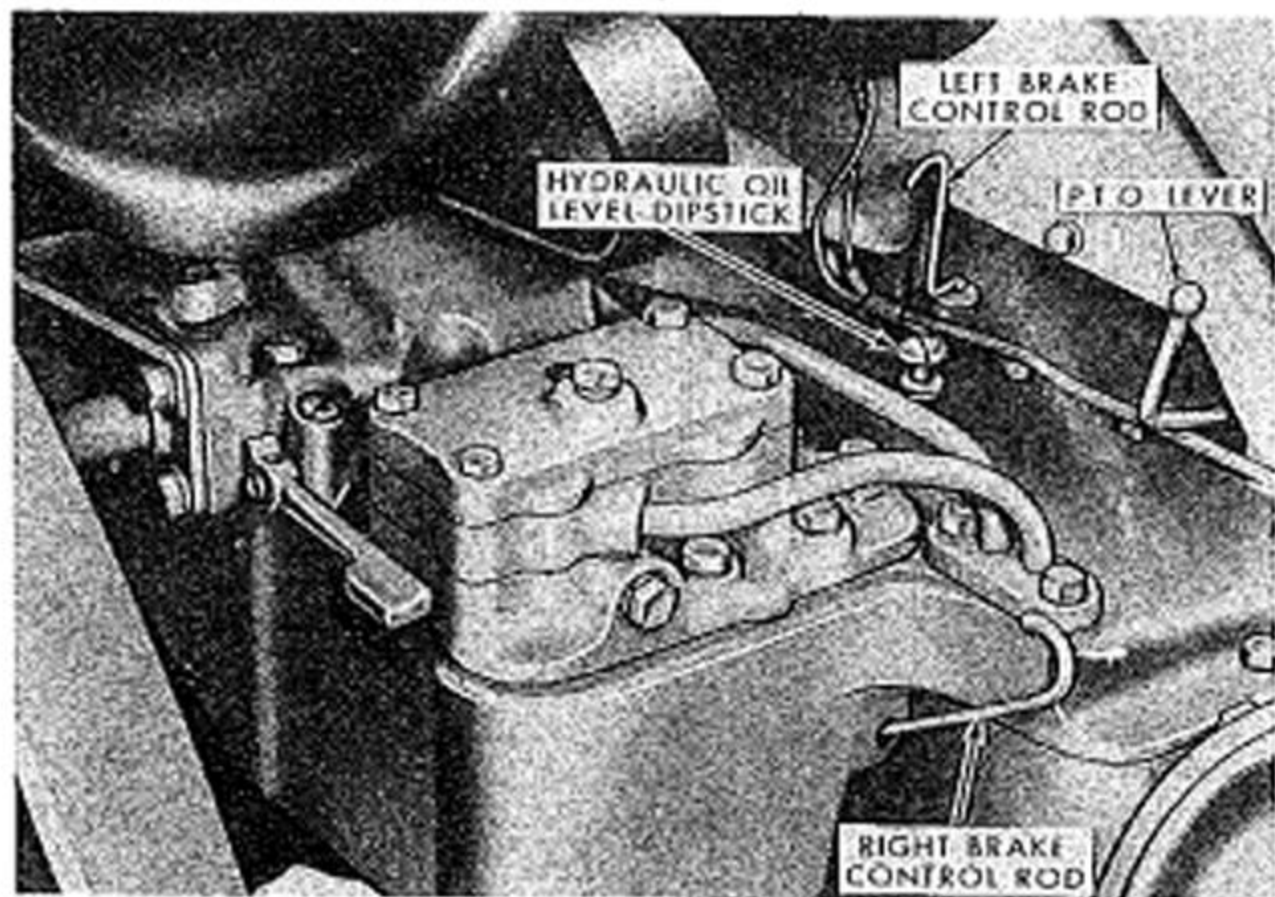


Figure 2
Brake Pedal Locks and P.T.O. Lever

the same as described in the Model 741 owner's manual supplied with your tractor.

OPERATION

Attaching Implements: Most implements can be easily and quickly attached to the tractor three point linkage. Operation of the lift links, leveling crank and three hole rocker shown in Figure 3 are the same as described in the Model 741 owner's manual.

The adjustable top link may be adjusted to suit implement operation requirements by releasing the lock and rotating the sleeve until the desired length is obtained. The standard length of 25 inches (as opposed to 23 on the Model 741) is obtained by adjusting the link as shown on a decal located on the sleeve (see Figure 3).

Drawbar: The fixed drawbar which fits between the lower links is standard equipment on the offset tractor. The swinging drawbar, sold as optional equipment, can be used by removing the left lift link as shown in Figure 4.

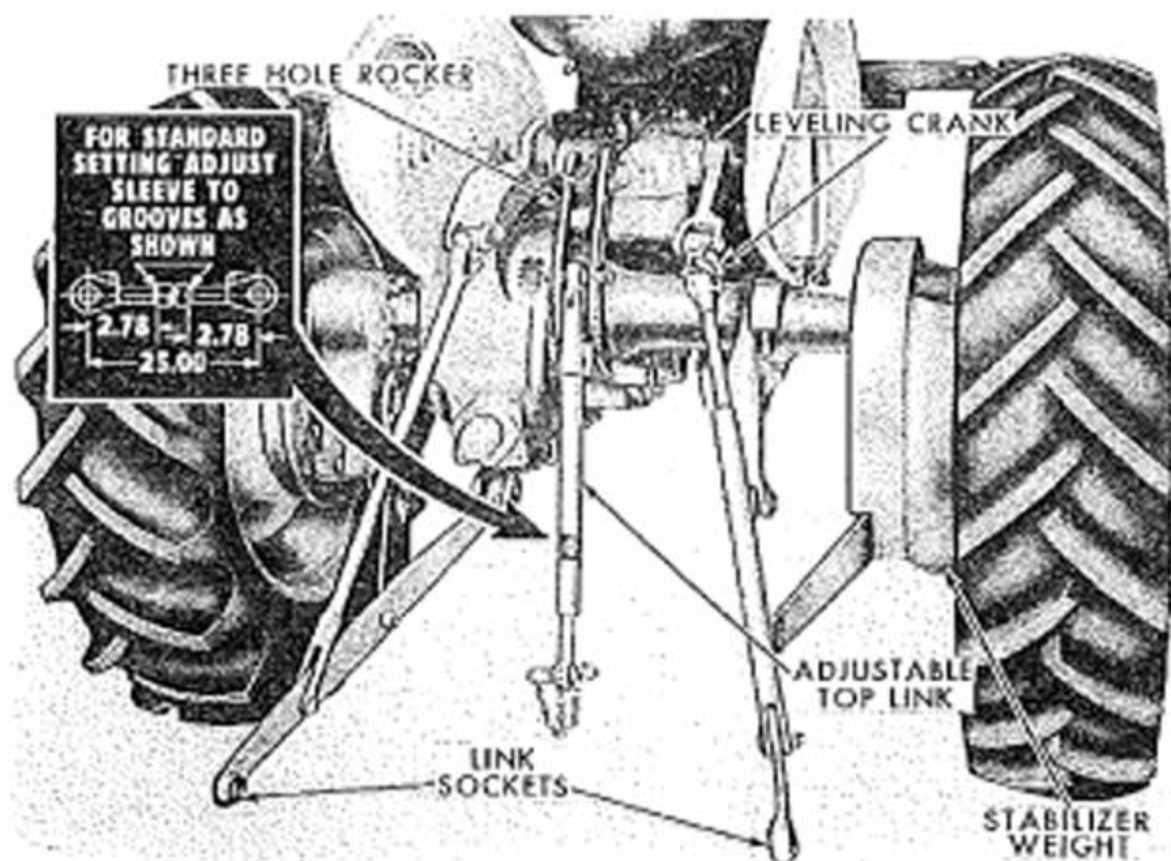


Figure 3

Leveling Crank and Adjustable Top Link

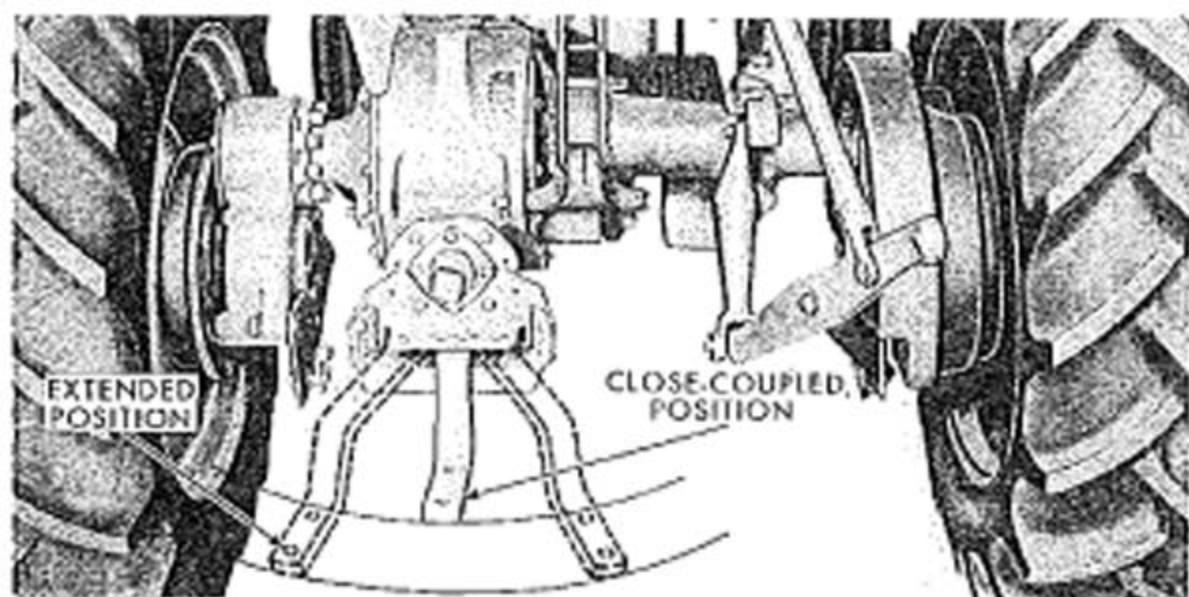


Figure 4

Swinging Drawbar

Wheel Tread Adjustment: The front wheels of the offset tractor are adjustable from 40" to 78" in approximately 4 inch spacings. The various spacings are obtained in the same manner as for the adjustable front axle on the Model 741 tractor. An additional spacing of 86" can be obtained by setting the wheels at the 78" spacing and then reversing the front wheels.

The rear wheels are adjustable from 40 to 68 inches. Tread width settings are made by changing the position of the wheel discs and the rims to any of the positions shown in Figure 5. To change from the 40 inch tread width to the 68 inch width, it is only necessary to change the wheels from one side of the tractor to the other. Three other wheel changes are similar as shown at the top of Figure 5.

NOTE: *Figure 5 shows only one tractor wheel. Additional spacings of 72 and 76 inches can be obtained with the use of 2 inch or 4 inch spacers available from your Ford Tractor and Implement Dealer.*

To provide greater stability of the offset tractor a 300 lb. stabilizer weight, shown in Figure 3, has been added to the right hand final drive housing. This weight remains on the tractor at all times and need not be removed for making wheel tread adjustments.

Wheel Weight: Liquid ballast or cast iron weights can be used on the offset tractor. The following information should be used in conjunction with the information in the Model 741 owner's manual:

**MAXIMUM CALCIUM CHLORIDE SOLUTION CAPACITIES
(90% Fill)**

| Size of Tire | 10 x 28 | 10 x 38 |
|----------------------------------|----------|----------|
| Pounds of Calcium Chloride | 116 | 157 |
| Gallons of Water | 23 | 31 |
| Weight of Solution | 310 Lbs. | 416 Lbs. |
| Inflation Pressure | 12 | 12 |
| Maximum Lbs. Tire Load Per Wheel | 1575 | 1820 |

INTER-CHANGING REAR WHEEL ASSEMBLIES GIVE THESE COMBINATIONS

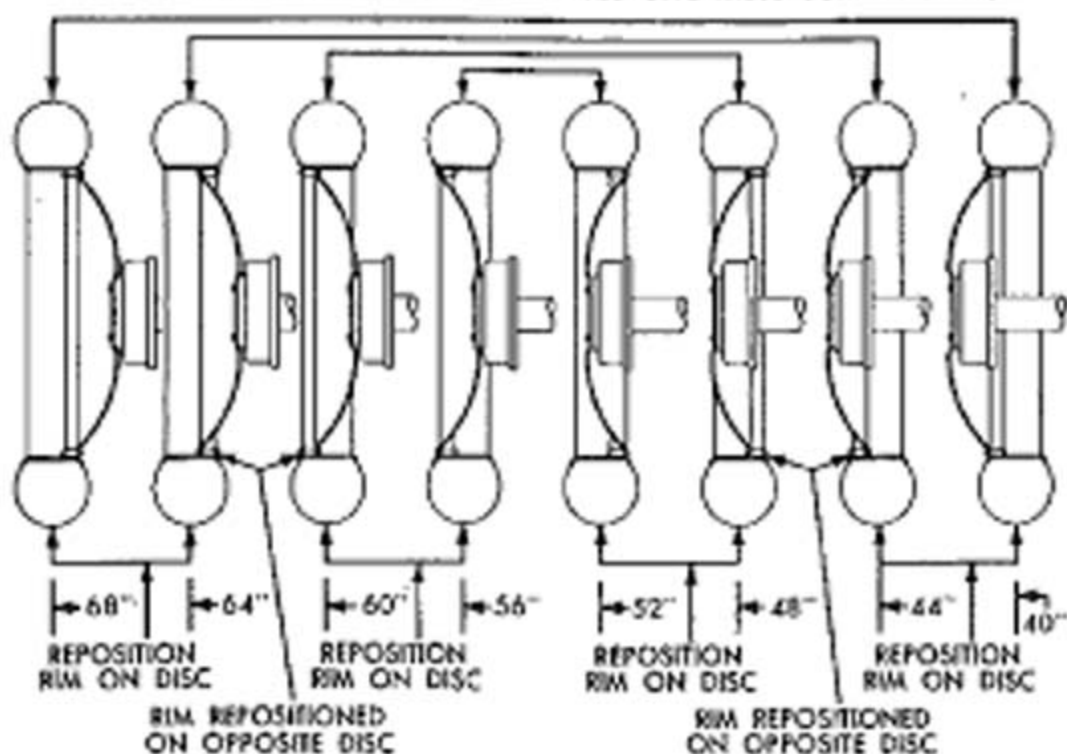


Figure 5
Rear Wheel Tread Adjustments

MAINTENANCE

Clutch Adjustment: To obtain proper operation and to insure the longest possible clutch life, it is necessary to maintain the recommended clutch pedal height and pedal free travel adjustments. For proper height the clutch pedal should be in line with the brake pedal.

NOTE: *The brake pedal arms should contact the step plate when correctly adjusted.*

To adjust the pedal height turn the adjusting screw, shown in Figure 6, out to decrease height or in to increase height.

Pedal free travel is the distance the clutch pedal can be pushed down before resistance is met.

To adjust pedal free travel, loosen the clevis lock nut and turn the

clevis in to decrease free travel or out to increase free travel.

Set the pedal free travel at $1\frac{1}{2}$ inches, see Figure 6. Make sure the lock nut is securely tightened after adjusting.

Hydraulic System Dip Stick: The hydraulic oil level dip stick has been relocated as shown in Figure 2. Check the level of the hydraulic oil on the dip stick daily or after every ten hours use. Maintain the oil level at the full mark with the proper lubricant as recommended under **SERVICE EVERY 600 HOURS**, in the Model 741 owner's manual.

NOTE: When checking the hydraulic oil level, be sure all hydraulic cylinders are fully extended.

Steering: The universal joint at the lower end of the steering shaft is equipped with a grease fitting. Clean the fitting and apply pressure gun grease after every 100 hours of operation.

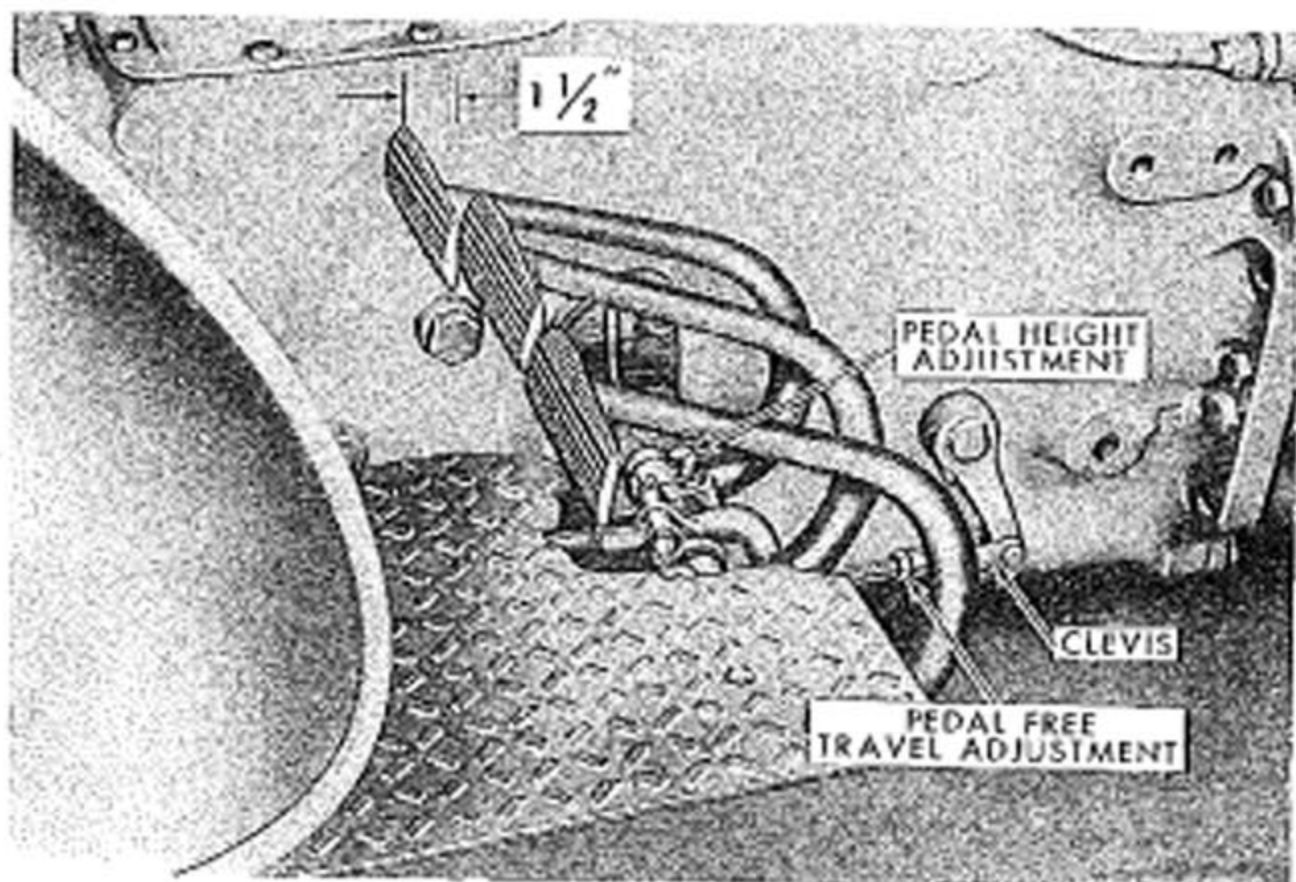


Figure 6
Clutch Pedal Adjustments

SPECIFICATIONS

| | | | |
|--|------------------|-----------------|---------|
| Wheel Base | | 89 Inches | |
| Overall Length | | 140.5 | |
| Overall Width at 40" Tread | | 55.6 | |
| Front Tread Width | | 40 to 78 Inches | |
| Rear Tread Width | | 40 to 68 Inches | |
| Clearance - Under Belly | Model 541 | 19.44 Inches | |
| | Model 541-4 | 25.06 Inches | |
| Clearance - Cultivating | Model 541 | 24 Inches | |
| | Model 541-4 | 29.62 Inches | |
| Turning Circle Diameter with Brake Set | | 10 Feet | |
| Shipping Weight | Model 541 | 3513 Lbs. | |
| | Model 541-4 | 3664 Lbs. | |
| Tire Size | Standard - Front | 5:50 x 16 | |
| | Rear | Model 541 | 10 x 28 |
| | | Model 541-4 | 10 x 38 |
| Clutch Pedal Free Travel | | 1½ Inches | |

NOTE: *The above specifications apply to the offset tractor only. For additional information refer to your regular owner's manual.*

SAFETY PRECAUTIONS

1. ALWAYS SHUT OFF THE ENGINE WHEN LEAVING THE TRACTOR.
2. MAKE SURE THE BRAKE PAWLS ARE SET WHEN PARKING THE TRACTOR.
3. DO NOT PERMIT ANYONE BUT THE OPERATOR TO RIDE ON THE TRACTOR AT ANY TIME.
4. NEVER OPERATE THE TRACTOR WITHOUT THE STABILIZER WEIGHT.
5. USE CARE WHEN OPERATING ON STEEP GRADES TO MAINTAIN PROPER STABILITY.
6. DRIVE TRACTOR AT SPEEDS SLOW ENOUGH TO INSURE SAFETY, ESPECIALLY OVER ROUGH GROUND OR NEAR DITCHES.
7. BE ESPECIALLY CAREFUL WHEN OPERATING TRACTOR WITH THE WHEELS SET AT THE NARROW WIDTH TO AVOID TIPPING THE TRACTOR.
8. ALWAYS KEEP THE TRACTOR BRAKES IN PROPER OPERATING CONDITION.
9. KEEP THE TRACTOR KEYS WHERE THEY ARE NOT AVAILABLE TO CHILDREN.
10. REMEMBER, A CAREFUL OPERATOR ALWAYS IS THE BEST INSURANCE AGAINST AN ACCIDENT.